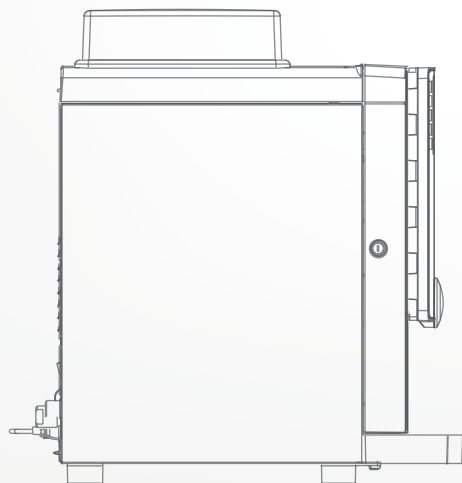
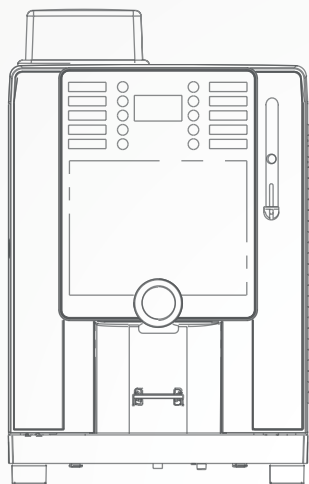


technical data



**ESPRESSO**

<b>Main</b>	
Brewer	variflex
Sizing (no. consumption day)	from 70 to 90
<b>Display</b>	LCD graphic 64 x 120 - 3 coloured
<b>Selections</b>	
Buttons	10
Pre-sel/direct no.	2-4*/8-12
<b>Technical Data</b>	
Height (mm)	666
Depth (mm)	599
Width (mm)	422
Weight (kg)	34
Max no. canisters	5
Max. no. mixing bowls	2
Boiler	1
Boiler capacity (lt)	0,8
Electrical supply (v-Hz)	230v-50/60Hz
Power (W)	2100
Direct hot water	Y
Water supply	plumbed
<b>Colour</b>	
Panel	white / black
<b>Canisters Capacity (kg)</b>	
Coffee beans	2
Instant coffee	0,33
Milk	0,38 small - 0,80 big
Chocolate	0,38 small - 0,80 big
Tea	0,98
exhausted pads	65
<b>Options</b>	
Cup sensor	Y
Tim-on telemetry	Y
RFID kit	Y
Sw arranged for EVA DTS	Y
Payment system	Y
<b>Accessories</b>	
Coffee ground support	Y
Modul-on cappuccino	Y
Modul-on cups	Y
Modul-on water	Y
Modul-on dispenser	Y
Modul-on change-giver	Y
Modul-on unibase	Y